

BIOFACE-40

MULTI-BIO TIME & ATTENDANCE SYSTEM



Face



Finger



RFID



WiFi



LAN



USB



Battery



Access Control

Multi-Bio Time Attendance and Access Control System

STORAGE CAPACITY

Face Capacity	1000
Finger Capacity	1000
Card Capacity	1000
Max User	1000
Log Capacity	100000

FEATURES

World-class Face Identification Technology

High-Speed and Accurate Face Identification

Good adaptation for dry, moist and rough fingerprints.

Output relay for door open.

Face, Fingerprint, Card, Password authentication

Supremely low Electric energy consumption.

Highly reliable and durable.

Comprehensive SDK is available for development and integration.

BIOFACE-40 MULTI-BIO TIME & ATTENDANCE SYSTEM

COMMUNICATION INTERFACE

Communication	WIFI, TCP/IP, USB
---------------	-------------------

BIOMETRIC

Push Data	Yes
4G GPRS / GPS	No
Sensor type	500 DPI
FAR	0.01%
FRR	0.001%
LUX	1,00,000
Processor	1 GHz
Verification time	<=1 second
RF card options	Proximity / Mifare (Optional)



Auto Focus



Strong light Verification



Zero light Verification



Long Distance Verification



Accepts Color Finger

AUDIO / VISUAL

Display	2.8" TFT LCD color screen
Voice Instruction	16-bit Hi-Fi voice & sound indication
Language	English

Software

Desktop, Web, Cloud

ACCESS CONTROL

Wiegand	Input
Relay	Yes
Support Exit Reader	Push Button Only
Standard Functions	Record Query, Auto Status, T9 Input, 14 Digit User ID



Time Attendance



Access Control



Employee Self Service



Mobile App

POWER & ENVIRONMENT

Operating Temperature	0°C ~ 50°C
Power	12V DC / 2A
Dimension (L*H*W)	200 x 125 x 95 mm

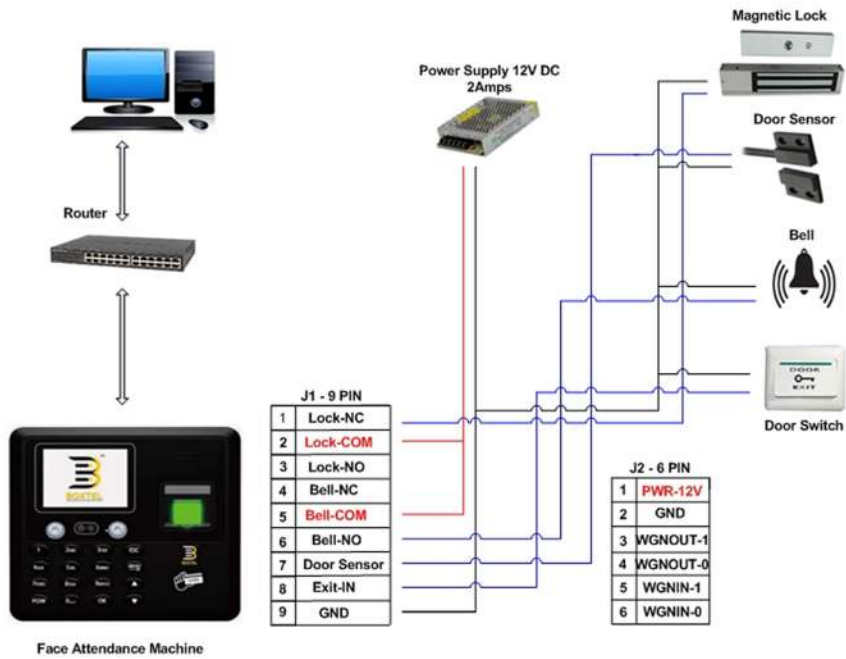
BOXTEL SYSTEMS INTERNATIONAL PVT LTD

Website : <https://www.boxtelsystems.com>

Sales : sales@boxtelsystems.com

Support : support@boxtelsystems.com

BIOFACE-40 CONNECTION DIAGRAM



BOXTTEL SYSTEMS INTERNATIONAL PVT LTD

Website : <https://www.boxtelsystems.com>

Sales : sales@boxtelsystems.com

Support : support@boxtelsystems.com