

BIOFACE-50

MULTI-BIO TIME & ATTENDANCE SYSTEM



Face



Finger



RFID



WiFi



LAN



USB



Battery



Access Control

Multi-Bio Time Attendance and Access Control System

STORAGE CAPACITY

Face Capacity	1000
Finger Capacity	5000
Card Capacity	5000
Max User	5000
Log Capacity	3,00,000
Password Capacity	5000

FEATURES

World-class Face Identification Technology

High-Speed and Accurate Face Identification

Good adaptation for dry, moist and rough fingerprints.

Output relay for door open.

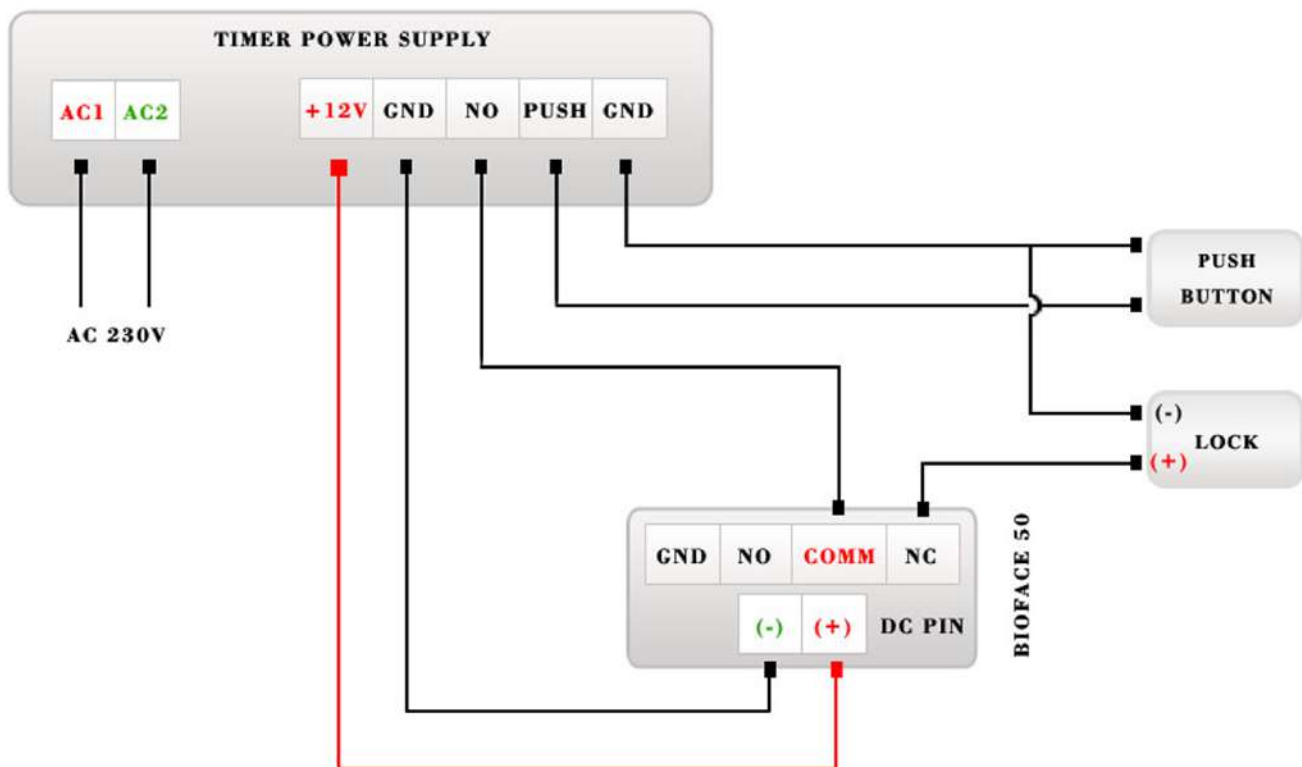
Face, Fingerprint, Card, Password authentication

Supremely low Electric energy consumption.

Highly reliable and durable.

Comprehensive SDK is available for development and integration.

BIOFACE-50 CONNECTION DIAGRAM



BOXTTEL SYSTEMS INTERNATIONAL PVT LTD

Website : <https://www.boxtelsystems.com>

Sales : sales@boxtelsystems.com
Support : support@boxtelsystems.com