

FB-30

BIOMETRIC TIME & ATTENDANCE SYSTEM



Finger



RFID



Wi-fi



4G GPRS (Optional)



Inbuilt Battery



LAN



USB



Access Control

Biometric Time & Attendance System

STORAGE CAPACITY

Finger Capacity	3000
Card Capacity	3000
Max User	3000
Password	3000
Log Capacity	1,00,000

FEATURES

High-Speed and Accurate Fingerprint Identification

Fingerprint, Card, Password authentication

output relay for door open.

Good adaptation for dry, moist and rough fingerprints.

Supremely low Electric energy consumption.

Highly reliable and durable.

Comprehensive software development kit(SDK) is available for development and integration.

FB-30 BIOMETRIC TIME & ATTENDANCE SYSTEM

COMMUNICATION INTERFACE

Communication	TCP/IP, WIFI, USB, 4G GPRS (Optional)
---------------	--

BIOMETRIC

Push Data	Yes
Sensor type	500 DPI
FAR	0.00001%
FRR	0.001%
OS	Linux
Verification time	<=1 second
RF card options	Proximity / Mifare (Optional)

AUDIO / VISUAL

Display	2.4" TFT LCD color screen
Voice instruction	16-bit Hi-Fi voice & sound indication
Language	English

ACCESS CONTROL

Wiegand	Input / Output
Relay	Yes
Standard Functions	Anti-passback, Auto Status, Record Query, T9 Input, 14 Digit User ID
Support	FA-FR12, FA-KR20E, Remote Push Button, No Touch

POWER & ENVIRONMENT

Inbuilt Battery Backup	Yes
Operating Temperature	0°C ~ 50°C
Power	12V DC / 2A
Dimension (L*H*W)	193 x 137 x 45 mm



Accepts moist and rough Finger



Accepts Color & Mahendi Finger



Compact & lightweight design



Unaffected by High
Temperatures 0° ~ 50°

Software

Desktop, Web, Cloud



Time Attendance



Access Control



Employee Self Service

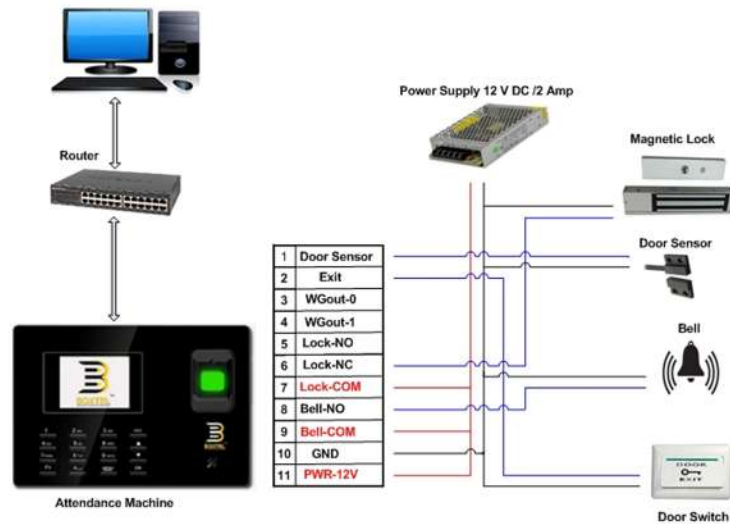


Mobile App



Disclaimer : Product specifications are given here is for information purpose only and it may change at any time WITHOUT prior notice. We request our customers that before purchase, confirm with us about available features.

FB - 30 CONNECTION DIAGRAM



BOXTEL SYSTEMS INTERNATIONAL PVT LTD

Website : <https://www.boxtelsystems.com>

Sales : sales@boxtelsystems.com

Support : support@boxtelsystems.com